

Current part is item (301) on diagram. Available at www.oshkoshequipment.com

(1) SMR Code	(2) Federal Stock Number	DESCRIPTION	UNIT of meas	Qty inc. in Unit	30-day DS maint allowance			30-day GS maint allowance			1-yr alw per 100 equip cnt- gcy	Depot maint alw per 100 equip	Illustration	
					(a) 1-20	(b) 21-50	(c) 51-100	(a) 1-20	(b) 21-50	(c) 51-100			(a) Figure No.	(b) Item No.
		Reference Number & Mfr. Code												
PAOZZ	5310-167-0721	WASHER, LOCK: CAP MTG TO MANIFOLD MS35333-41 (96906)	EA	2	*	*	*	*	*	*	*	*	33	23
PAOZZ	5306-225-8497	BOLT, MACHINE: CAP MTG TO MANIFOLD MS90725-32 (96906)	EA	2	*	*	*	*	*	*	*	*	33	24
PAOZZ	5305-269-3214	SCREW, CAP, HEXAGON HEAD: FLANGE AD- JUSTING MS90725-64 (96906)	EA	2	*	*	*	*	*	*	*	*	33	25
PAOZZ	5310-959-4675	WASHER, LOCK: FLANGE ADJUSTING SCREW MS35340-46 (96906)	EA	2	*	*	*	*	*	*	*	*	33	26
PAOZZ	2530-860-0572	FLANGE, PULLEY, COMPRESSOR: 10889937 (19207)	EA	1	*	*	*	*	*	*	*	*	33	27
PAOZZ	5310-045-1083	NUT, SELF-LOCKING, HEXAGON: PULLEY TO SHAFT MTG 451083 (24617)	EA	1	*	*	*	*	*	*	*	*	33	28
PAOZZ	3030-849-1033	BELT, V: COMPRESSOR DRIVE 10889932 (19207)	EA	1	*	*	*	*	*	*	*	*	33	29
PAOZZ	2530-071-5328	GASKET SET: AIR COMPRESSOR 5702691 (19207)	EA	1	*	*	*	*	*	*	*	*	33	30
PAOZZ	5330-498-2426	COMPOSED OF: GASKET: UNLOADER VALVE MTG (NOT ILLUSTRATED) 11641987 (19207)	EA	1	*	*	*	*	*	*	*	*		
PAFZZ	2530-860-0574	GASKET: COMPRESSOR SUPPORT MTG TO CRANKCASE 10889933 (19207)	EA	1	*	*	*	*	*	*	*	*	33	30*1
PAOZZ	2530-064-6667	GASKET: COMPRESSOR MTG TO SUPPORT 7748825 (19207)	EA	1	*	*	*	*	*	*	*	*	33	30*2
PAFZZ	5310-080-6004	WASHER, FLAT: COMPRESSOR SUPPORT MTG TO CRANKCASE MS27183-14 (96906)	EA	7	*	*	*	*	*	*	*	*	33	31
PAFZZ	5305-269-3210	SCREW, CAP, HEXAGON HEAD: COMPRESSOR SUPPORT MTG TO CRANKCASE MS90725-59 (96906)	EA	7	*	*	*	*	*	*	*	*	33	32
PAFZZ	2530-177-8050	SUPPORT, COMPRESSOR: 10889935 (19207)	EA	1	*	*	*	*	*	*	*	*	33	33
PAOZZ	4730-044-4688	PLUG, PIPE: SUPPORT 444688 (24617)	EA	1	*	*	*	*	*	*	*	*	33	34
PAOZZ	5307-912-5635	STUD, PLAIN: COMPRESSOR MTG TO SUPPORT (U/W IRON SUPPORT) 10935517 (19207)	EA	4	*	*	*	*	*	*	*	*	33	35
PAOZZ	5307-851-8971	STUD, PLAIN: COMPRESSOR MTG TO SUPPORT (U/W ALUM- INUM SUPPORT) 0.003 IN. OVERSIZE 10899085 (19207)	EA	4	*	*	*	*	*	*	*	*	33	35
XAFZZ		SUPPORT: COMPRESSOR 10889934 (19207)		1									33	36
PAOZZ	2815-455-9497	BRACKET: TACHOMETER CABLE CLIP 10896327 (19207)	EA	1	*	*	*	*	*	*	*	*	33	37
PAOZZ	2530-860-0573	PULLEY, HALF, COMPRESSOR: COMPRESSOR DRIVE 10889938 (19207)	EA	1	*	*	*	*	*	*	*	*	33	38



Current part is item (301) on diagram. Available at www.oshkoshequipment.com

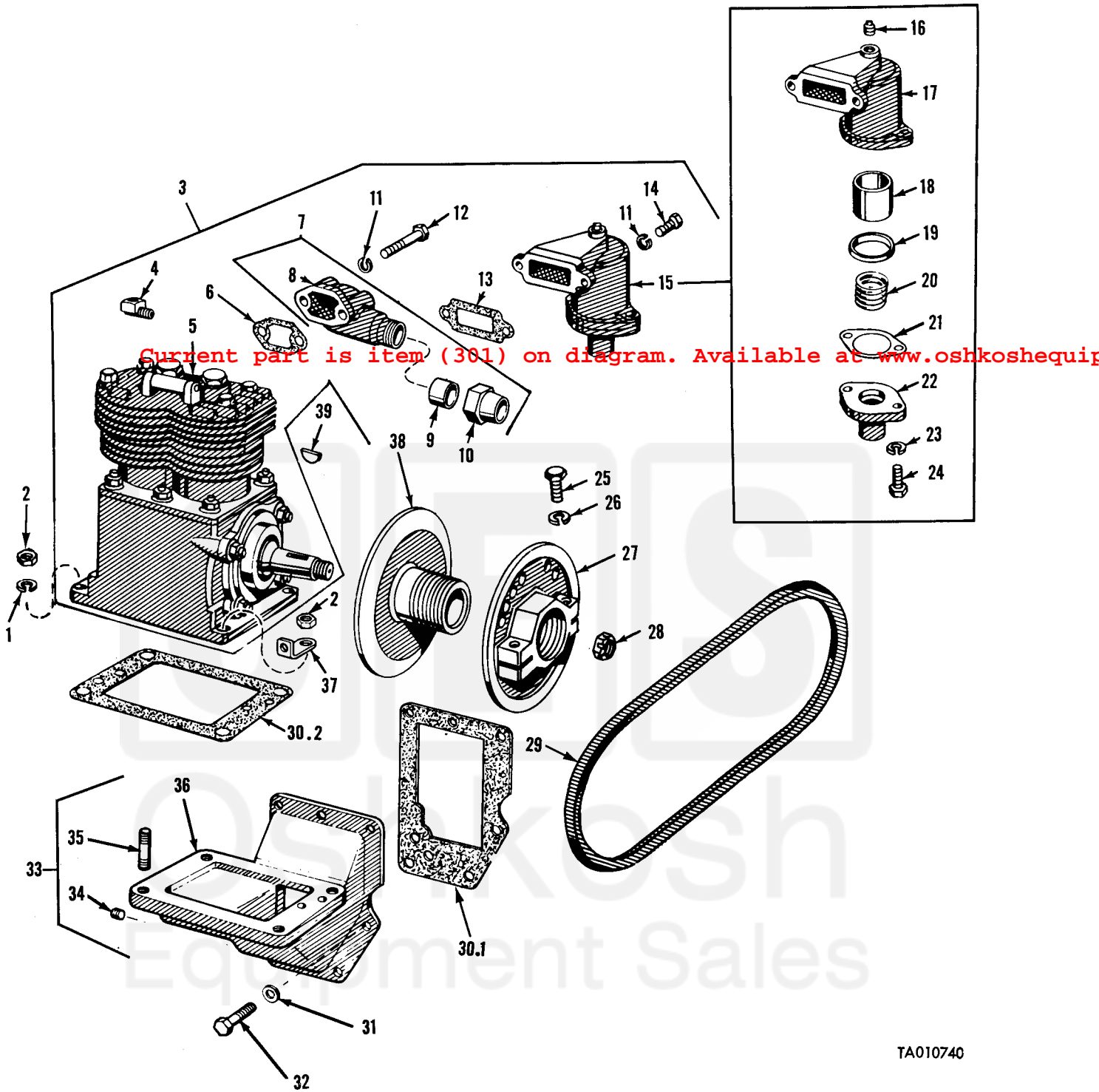


Figure 33. Air Compressor and Associated Parts.